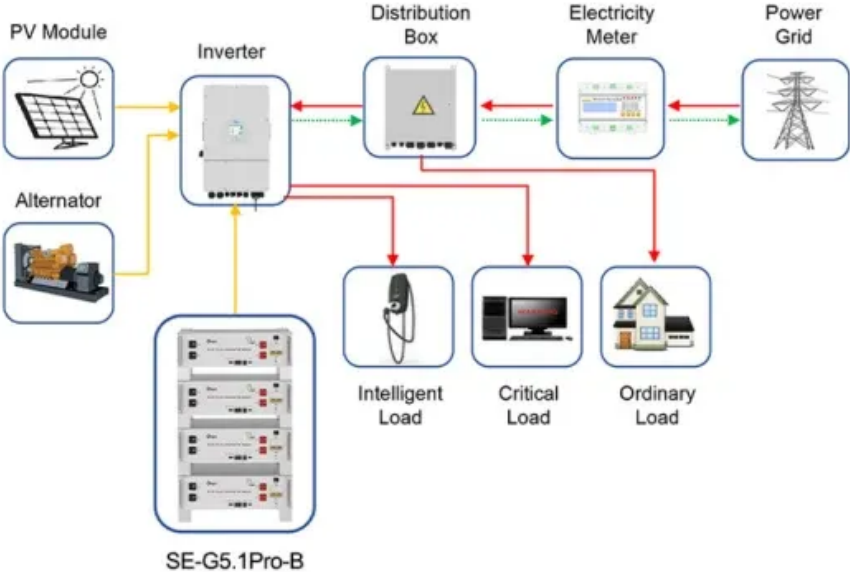


Which mobile energy storage power supply is best in tampere finland



Application scenarios of energy storage battery products



Overview

Summary: Explore how battery voltage energy storage systems are transforming Tampere's energy landscape. This article covers local applications, case studies, and data-driven insights into why Tampere leads Finland's renewable energy transition. As Finland's energy landscape evolves, Battery Energy Storage Systems (BESS) are becoming vital for ensuring uninterrupted power in Tampere's industrial and commercial sectors. This article explores how BESS solutions address energy challenges, support renewable integration, and provide reliable. What is a commercial energy storage 50kW 100kWh?

Improve Power Supply Reliability: Commercial energy storage 50kW 100kWh can be used as a backup power source (Backup Power), seamlessly switching when the power grid fails, ensuring the continuous operation of key loads and avoiding production or. Heliostorage specializes in efficient energy storage, particularly through their innovative thermal energy storage solutions that help reduce carbon emissions and energy costs. By capturing and storing energy from the sun, they enhance heat pump efficiency and provide reliable heating without. These suppliers install bespoke machines that safely store energy and release when asked for. The developers say this could solve the problem of year-round supply, a major issue for green energy. "The real game-changer has been adaptive.

Which mobile energy storage power supply is best in tampere finland

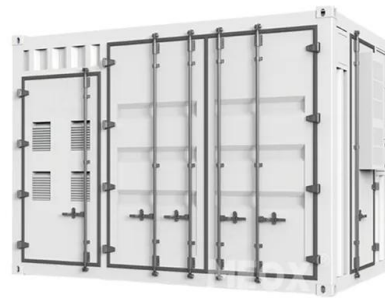


[Finland outdoor energy storage power supply](#)

This paper has provided a comprehensive review of the current status and developments of energy storage in Finland, and this information could prove useful in future modeling studies of the Finnish ...

[Top Energy Storage Solutions in Tampere Key Players and Innovations](#)

Looking for the best energy storage equipment company in Tampere, Finland? This Nordic hub combines cutting-edge R& D with sustainable energy goals. Let's explore how local innovators are ...



[BESS Uninterruptible Power Supply in Tampere, Finland: Powering ...](#)

This article explores how BESS solutions address energy challenges, support renewable integration, and provide reliable backup power - all while highlighting opportunities for businesses to optimize ...



[TAMPERE FINLAND BRING OUTDOOR POWER SUPPLY TO THE ...](#)

This 500W portable portable station is BS500 model, which is a multi-functional emergency energy storage power supply, using UL authoritative automotive power cell and efficient S PWM inverter ...



[5 BEST ENERGY STORAGE SUPPLIERS IN FINLAND](#)

This report provides an initial insight into various energy storage technologies, continuing with an in-depth techno-economic analysis of the most suitable technologies for Finnish conditions, namely ...



[5 Best Energy Storage Suppliers in Finland](#)

These suppliers install bespoke machines that safely store energy and release when asked for. Below we list the 5 best known energy storage suppliers in Finland. It offers brand for ...



[A review of the current status of energy storage in Finland and future](#)

The status of these energy storage technologies in Finland will be discussed in more detail in the next sub-sections, giving a better understanding of the current and potential role of these ...



[Top 51 Energy Storage Companies in Finland \(2026\) , ensun](#)

Teraloop specializes in high-technology energy storage solutions, particularly through its innovative kinetic energy storage system that enhances the efficiency and sustainability of renewable energy ...



[Battery Voltage Energy Storage in Tampere Powering Finland s](#)

Summary: Explore how battery voltage energy storage systems are transforming Tampere's energy landscape. This article covers local applications, case studies, and data-driven insights into why ...

Contact Us

For catalog requests, pricing, or partnerships, please visit:
<https://www.motocykle3city.pl>