

# The effect of multi-axis solar container outdoor power



## Overview

---

In this article, the performance of a solar-powered multi-purpose supply container used as a service module for first-aid, showering, freezing, refrigeration and water generation purposes in areas of social emergency is analyzed. This research aims to examine solar energy as a viable option and obtain the maximum amount from the 'green' energy source. These turnkey solutions integrate solar panels, inverters, batteries, charge controllers, and monitoring systems into a single transportable unit that. A mobile solar container is simply a portable, self-contained solar power system built inside a standard shipping container. Solar Panels: The foundation of solar energy containers, these panels utilize photovoltaic cells to convert sunlight into electricity. Their size and number vary depending.

## The effect of multi-axis solar container outdoor power

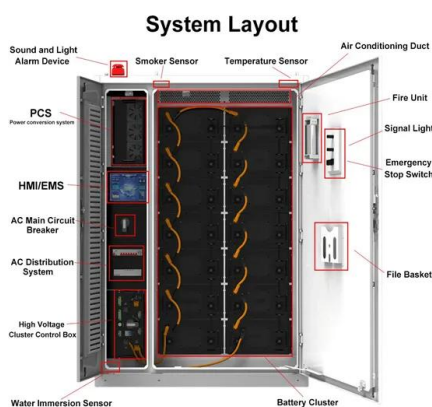


### [Solarcontainer explained: What are mobile solar systems?](#)

The optimally coordinated angle of inclination ensures maximum energy generation and still enables a self-cleaning effect of the solar panels. Since the maintenance work that needs to be done can vary ...

### [220V multi-axis solar container outdoor power](#)

High-efficiency Mobile Solar PV Container with foldable solar panels, advanced lithium battery storage (100-500kWh) and smart energy management. Ideal for remote areas, emergency rescue and ...



### [Performance Analysis of a Solar-Powered Multi-Purpose Supply Container](#)

In this article, the performance of a solar-powered multi-purpose supply container used as a service module for first-aid, showering, freezing, refrigeration and water generation purposes in ...

### [Mobile Solar Container Power Generation Efficiency: ...](#)

Discover how mobile solar containers deliver efficient, off-grid power with real-world data, innovations, and case studies like the LZY-MS1 model.



50KW modular power converter



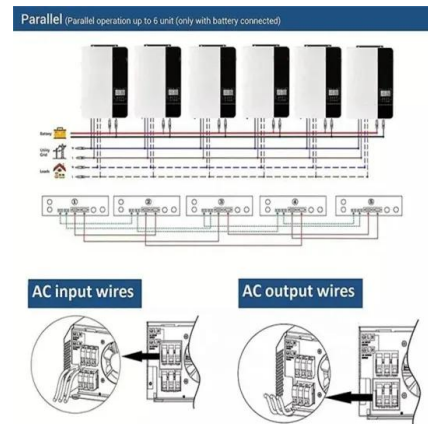
[UNLOCKING OFF-GRID POWER: THE ULTIMATE GUIDE TO SOLAR ...](#)

Among the innovative solutions paving the way forward, solar energy containers stand out as a beacon of off-grid power excellence. In this comprehensive guide, we delve into the ...



[Solar Power Container: Complete Guide to Portable Solar Energy ...](#)

A solar power container is a self-contained, portable energy generation system housed within a standardized shipping container or custom enclosure. These turnkey solutions integrate ...



[DESIGN AND PERFORMANCE STUDY OF A DUAL AXIS](#)

Technological advancements are dramatically improving solar storage container performance while reducing costs. Next-generation thermal management systems maintain optimal operating ...

### Comparison of solar harvesting by using static and multi axis dynamic

Hence, to achieve maximum concentration, radiation, and efficiency of the PV cell, tracking of the position of the sun with accuracy is extremely important. Multi axis dynamic solar ...



### How Do Mobile Solar Containers Work Efficiently? A Real Look at ...

Some containers use fold-out arrays to expand total solar surface area. MPPT controllers (Maximum Power Point Tracking) constantly regulate voltage for peak performance. Bifacial panels ...

## Contact Us

For catalog requests, pricing, or partnerships, please visit:  
<https://www.motocykle3city.pl>