

# Photovoltaic equipment support cost standard



## Photovoltaic equipment support cost standard

---



### [Best Practice Guidelines for PV Cost Calculation](#)

The results from the financial approach benchmarking and technical risk quantification are used to identify the gaps between the present PV investment practices and the available ...

### [Developing Cost Functions for Estimating Solar Photovoltaic ...](#)

Developing Cost Functions for Estimating Solar Photovoltaic System Installed Using Historical Data and OLS Regression David Webb Joshua Kneifel Office of Applied



### [Solar Technology Cost Analysis , Solar Market Research](#)

Solar Technology Cost Analysis NLR's solar technology cost analysis examines the technology costs and supply chain issues for solar photovoltaic (PV) technologies. This work informs ...



### [Model of Operation and Maintenance Costs for Photovoltaic ...](#)

This report presents a method for calculating costs associated with the operation and maintenance (O& M) of photovoltaic (PV) systems. The report compiles details regarding the cost and ...



### [Solar Installed System Cost Analysis](#)

NLR analyzes the total costs associated with installing photovoltaic (PV) systems for residential rooftop, commercial rooftop, and utility-scale ground-mount systems. This work has grown ...



### [Demystifying Photovoltaic Support Contracting Price Lists in 2025](#)

Let's face it - navigating photovoltaic support contracting prices feels like trying to read hieroglyphics while riding a unicycle. But here's the million-dollar question: What really determines those numbers ...



### [Cost-of-ownership forecasting for photovoltaic production ...](#)

AbsTrAcT The recent decline in module market prices is the most telling sign of a need for continuous reductions in PV production costs. With this in mind, the cost efficiency of production



### Solar Photovoltaic System Cost Benchmarks

The U.S. Department of Energy's solar office and its national laboratory partners analyze cost data for U.S. solar photovoltaic systems to develop cost benchmarks to measure progress ...

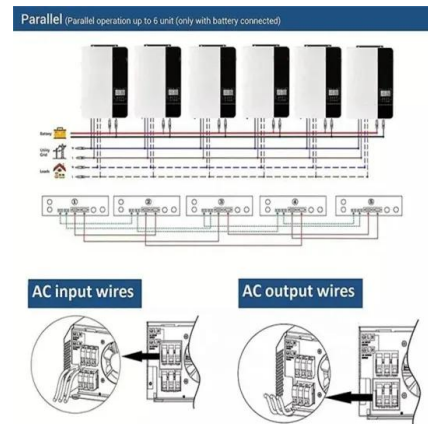


### **Photovoltaic Economics**

Approximately about half of this investment would be for the PV modules, and the inverter, PV array support structures, electrical cabling, equipment and installation would account for the rest.

### Solar PV network installation standards and cost estimation guidelines

For smart cities, the successful large-scale implementation of solar PV technology, Quality Certification and Standards are mandatory. The Internation...



## **Contact Us**

For catalog requests, pricing, or partnerships, please visit:  
<https://www.motocykle3city.pl>