

How much solar power does the Earth generate in a year



Overview

Solar energy generates 1,100 TWh per year, and its growth trajectory is remarkable due to the declining cost of solar panels and advancements in photovoltaic technology. Ember (2026); Energy Institute - Statistical Review of World Energy (2025) - with major processing by Our World in Data. This dataset contains yearly electricity generation, capacity, emissions, imports and demand data for European countries. You can find more about Ember's methodology in this. There is so much solar energy hitting the earth's surface that even a single year of sunshine exceeds all known energy reserves of oil, coal, natural gas and uranium put together. Globally, over the course of the year, the Earth system—land surfaces, oceans, and atmosphere—absorbs an average of about 240 watts of solar power per square meter (one watt is one joule of energy every second). The planet Earth utilizes approximately 23,000 terawatt-hours (TWh) of solar energy annually, which is a mere fraction of the total solar radiation received. What are the consequences of delaying development of C-neutral power?

. Its value is approximately 1,361 watts per.

How much solar power does the Earth generate in a year



[The earth gets more solar energy in one hour than the entire world uses](#)

Earth's continents receive 23,000 terawatt hours of solar energy each year, compared to the 18.5 terawatt hours used by all of modern society each year.

[How much solar energy does the Earth use each year?](#)

The planet Earth utilizes approximately 23,000 terawatt-hours (TWh) of solar energy annually, which is a mere fraction of the total solar radiation received. The total amount of solar ...



[Climate and Earth's Energy Budget](#)

Globally, over the course of the year, the Earth system--land surfaces, oceans, and atmosphere--absorbs an average of about 240 watts of solar power per square meter (one watt is ...

[How Much Energy Is Produced From Solar Energy?](#)

How Much Does Solar Energy Produce Per Year?
The amount of solar energy produced each year depends on a few factors, including the amount of sunlight that hits the Earth's surface and the ...



[How Much Solar Energy Does the World Generate?](#)

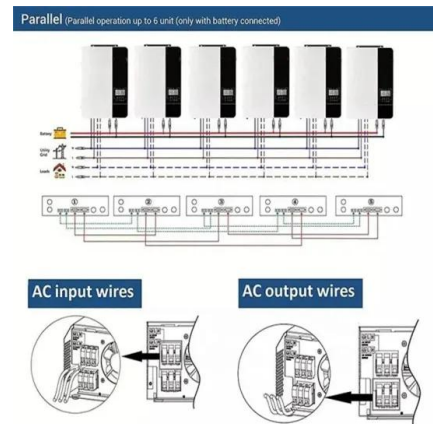
With the rapid increase in capacity and daily production, solar power is now a central component of the global energy mix. The 2,075 GWh of daily production in 2024 underscores solar's growing role in ...

Test certification
CE FC



[What Is The Total Solar Power World Production Annually](#)

Solar energy generates 1, 100 TWh per year, and its growth trajectory is remarkable due to the declining cost of solar panels and advancements in photovoltaic technology.



[35 Latest Solar Power Statistics, Charts & Data \[2026\]](#)

4.4% of our global energy comes from solar power. China generates more solar energy than any other country, with a current capacity of 308.5 GW. The US relies on solar for 3.9% of its ...

[How Much of the Sun's Energy Reaches Earth?](#)

Its value is approximately 1,361 watts per square meter (W/m^2). This number represents the average amount of energy received on a surface perpendicular to the Sun's rays at Earth's ...



[Solar power generation, 2025](#)

This dataset contains yearly electricity generation, capacity, emissions, import and demand data for over 200 geographies. You can find more about Ember's methodology in this ...

[The Sun delivers more energy to Earth in an hour than we use in ...](#)

Because of time-of-day and time-of-year variations in exposure to sunlight, the average electrical power produced by a solar cell over a year is about 1/5 of its peak rating, so the average photovoltaic power ...



Contact Us

For catalog requests, pricing, or partnerships, please visit:
<https://www.motocykle3city.pl>