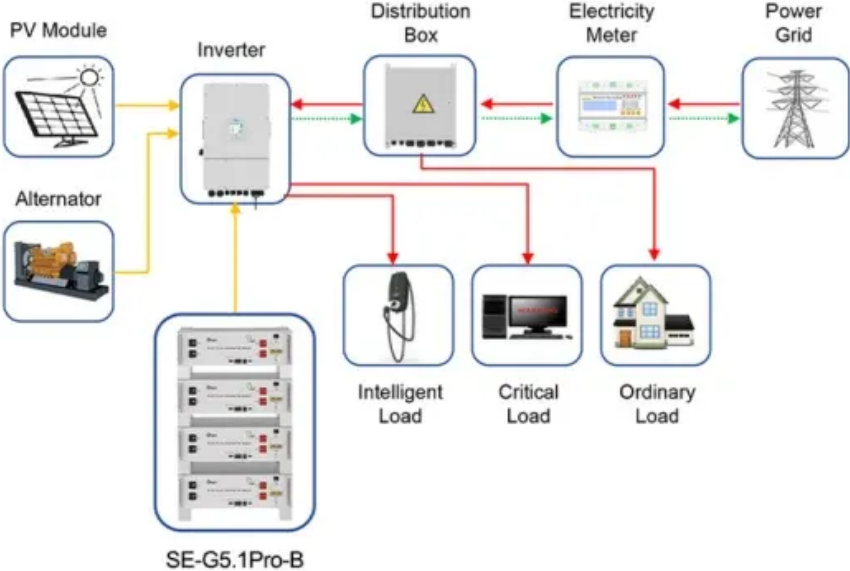


Astana Super Dual Capacitor



Application scenarios of energy storage battery products



Astana Super Dual Capacitor



GS230F , CAP-XX

CAP-XX Supercapacitors are the smallest devices available for given ESR and capacitance (high power and energy density). Designed to overcome both the power delivery constraints of battery systems ...

[Supercapacitor Frequently Asked Questions](#)

The life expectancy of supercapacitors is similar to aluminum electrolytic capacitors. The life of supercapacitors will double for every 10°C decrease in temperature or voltage by 0.1V.



[A comprehensive analysis of supercapacitors with current limitations](#)

This article explored how supercapacitors store energy through electrostatic double-layer capacitance and electrochemical pseudocapacitance and discussed various types, including electric ...



Supercapacitors - Mouser

Supercapacitors are available at Mouser Electronics. Mouser offers inventory, pricing, & datasheets for Supercapacitors.



[Keep the Balance Balancing of Supercapacitors](#)

Supercapacitors (SC) usually operate at low voltages of around 2.7 V. In order to reach higher operating voltages, it is necessary to build a cascade of serial connected SC cells.

[A comprehensive review on supercapacitors: Basics to recent](#)

This review article comprehensively analyzes the basic charge storage mechanism in electrical double-layer capacitors (EDLCs) and pseudocapacitors, materials used as SC electrodes ...



[The engineer's guide to supercapacitors](#)

Half battery, half capacitor, supercapacitors are all the rage for energy storage. Here's what makes them so interesting. Use Up/Down Arrow keys to increase or decrease volume. This ...



[SuperCapacitors \(Double Layer Capacitors\)](#)

SuperCapacitors are a valuable technology for providing a unique combination of characteristics, particularly very high pulse power and capacitance densities.



[Electric Double Layer Capacitors \(EDLC\), Supercapacitors](#)

Electric Double Layer Capacitors (EDLC), Supercapacitors are in stock at DigiKey. Order Now! Capacitors ship same day.

[A Comprehensive Analysis of Supercapacitors and Their Equivalent](#)

This paper conducts a comprehensive review of SCs, focusing on their classification, energy storage mechanism, and distinctions from traditional capacitors to assess their suitability for ...



Contact Us

For catalog requests, pricing, or partnerships, please visit:
<https://www.motocycle3city.pl>